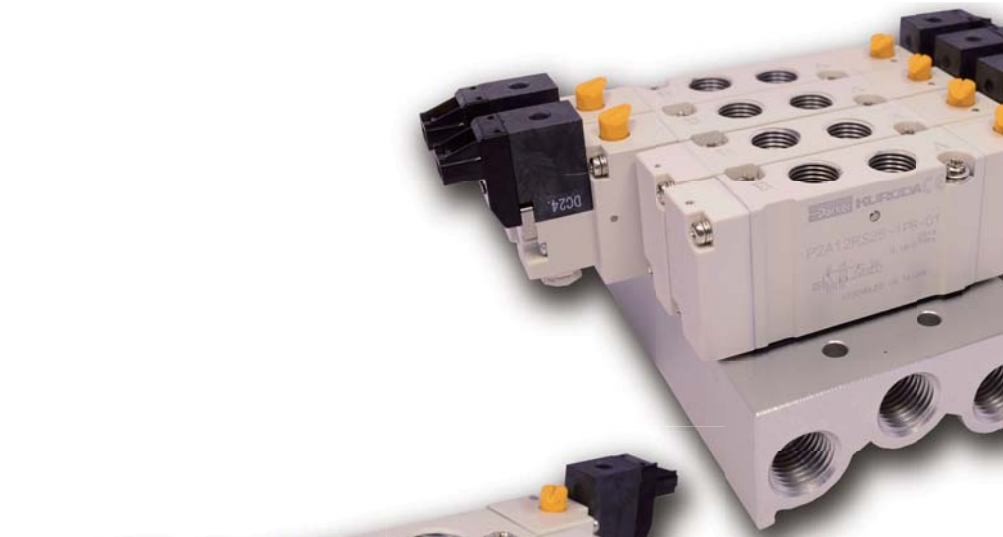
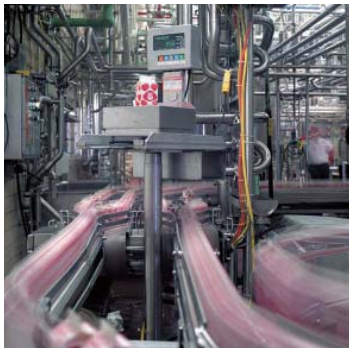




aerospace
climate control
electromechanical
filtration
fluid & gas handling
hydraulics
pneumatics
process control
sealing & shielding



ADEX Plus

In-Line type solenoid valve



ENGINEERING YOUR SUCCESS.

Basic Technical Information

Working media, air quality.....	3
Pneumatic actuator sizing map.....	3-4
Material specification.....	4

In-Line type pilot operated solenoid valve


P2A05 Port M5, 10mm width.....	6
P2A12 Port 1/8, 15mm width.....	7
P2A20 Port 1/4, 18mm width.....	8

Order code summary


Solenoid valve, Lead wire with connector, Mounting bracket	9
Manifold, Blanking plate	10

Dimensions


P2A05R	11-13
P2A15R	14-10
P2A20R	17-19
Manifold block	20-21



Important !
 Before carrying out any service work, ensure that the valve and manifold have been vented. Remove the primary supply air hose to ensure total disconnection of the air supply before dismantling valves or blank connection blocks.



NB !
 All technical data in this catalogue is typical only. The air quality is decisive for the valve life: see ISO 8573.



WARNING

FAILURE OR IMPROPER SELECTION OR IMPROPER USE OF THE PRODUCTS AND/OR SYSTEMS DESCRIBED HEREIN OR RELATED ITEMS CAN CAUSE DEATH, PERSONAL INJURY AND PROPERTY DAMAGE.

This document and other information from Parker Hannifin Corporation, its subsidiaries and authorized distributors provide product and/or system options for further investigation by users having technical expertise. It is important that you analyze all aspects of your application and review the information concerning the product or system in the current product catalog. Due to the variety of operating conditions and applications for these products or systems, the user, through its own analysis and testing, is solely responsible for making the final selection of the products and systems and assuring that all performance, safety and warning requirements of the application are met. The products described herein, including without limitation, product features, specifications, designs, availability and pricing, are subject to change by Parker Hannifin Corporation and its subsidiaries at any time without notice.

SALE CONDITIONS

The items described in this document are available for sale by Parker Hannifin Corporation, its subsidiaries or its authorized distributors. Any sale contract entered into by Parker will be governed by the provisions stated in Parker's standard terms and conditions of sale (copy available upon request).

Basic Technical Information

Working media, air quality

For best possible service life and trouble free operation, ISO 8573-1 quality class 3.4.3 should be used. This means 5µm filter (standard filter) dew point +3°C for indoor operation (a lower dew point should be selected for outdoor operation) and oil concentration 1.0 mg oil/m³, which is what a standard compressor with a standard filter gives.

ISO 8573-1 quality classes

Quality class	Pollution		Water max. press. dew point [°C]	Oil max. concentration [mg/m ³]
	particle size [µm]	max. concentration [mg/m ³]		
1	0.1	0.1	-70	0.01
2	1	1	-40	0.1
3	5	5	-20	1.0
4	15	8	+3	5.0
5	40	10	+7	25
6	-	-	+10	-

Pneumatic actuator sizing map

Pneumatic standard cylinder

Products	P1Q compact cylinder						
	P1A mini ISO cylinder						
	P1D ISO cylinder						
Cylinder bore [mm]	<20	20 - 25	32	40 - 50	63	80	100
P2A05	M5, 1/8	M5, 1/8	M5, 1/8	M5, 1/8	M5, 1/8		
P2A12	1/8, 1/4	1/8, 1/4	1/8, 1/4	1/8, 1/4	1/8, 1/4	1/8, 1/4	
P2A20		1/4, 1/4	1/4, 1/4	1/4, 1/4	1/4, 1/4	1/4, 1/4	1/4, 1/4

- Less than 500mm/s
- Less than 700mm/s
- Less than 1000mm/s



Compact cylinder P1Q series



Mini ISO cylinder P1A series



ISO cylinder P1D series

Basic Technical Information

Pneumatic actuator sizing map
 Vane type rotary actuator "Hi-Rotor"



Hi-Rotor Part Number		PRNA1S	PRNA1D	PRNA3S PRNA3D	PRNA10S PRNA10D	PRNA20S PRNA20D	PRN30S PRN30D	PRN50S PRN50D	PRN150S PRN150D	PRN300S PRN300D	PRN800S PRN800D
Oscillating time [s]at 0.5 Mpa	90'	0.03 - 0.3	0.03 - 0.6	0.04 - 0.8	0.045 - 0.9	0.05 - 1.0	0.07 - 0.7	0.08 - 0.8	0.12 - 1.2	0.16 - 1.6	0.22 - 2.2
	180'	0.06 - 1.2	-	0.08 - 1.6	0.09 - 1.8	0.1 - 2.0	0.14 - 1.4	0.16 - 1.6	0.24 - 2.4	0.32 - 3.2	0.44 - 4.4
	270'	0.09 - 1.8	-	0.12 - 2.4	0.135 - 2.7	0.15 - 3.0	0.21 - 2.1	0.24 - 2.4	0.36 - 3.6	0.48 - 4.8	0.66 - 6.6
Hi-Rotor port	M5	M5	M5	M5	M5	1/8	1/8	1/4	3/8	1/2	
P2A05											
P2A12											
P2A20											

Material specification

P2A05R, P2A12R, P2A20R

Valve

VALVE Body	Aluminum
SPOOL	Aluminum
End cover	Plastic
Piston housing	Plastic
Piston	Plastic
Base gasket	Rubber

Accessories

Bracket	Steel
Manifold base	Aluminum

In-Line type pilot operated solenoid valve

P2A05R Port M5, 10mm width

Specifications

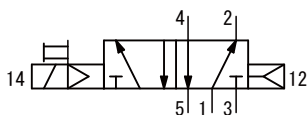
Part Number	P2A05RS25	P2A05RD25	P2A05RD35	P2A05RE35	P2A05RO35	
Function	5/2 Single solenoid	5/2 Double Solenoid	5/3 Closed Centre	5/3 Exhaust centre	5/3 Pressure centre	
Media	Air, Non-Reactive Gases					
Operating Pressure [MPa]	0.2 ~ 0.7					
Port Size	M5					
Effective Orifice [mm ²]	Port 1→4	4		4		
	Port 1→2					
Cv Value	0.22		0.22			
Operating Temperature [°C]	+5 ~ 50					
Operating Humidity [%RH]	≤ 85					
Storage Temperature [°C]	-20 ~ 70					
Storage Humidity [%RH]	≤ 85					
Manual Operation	Manual Lockable Override					
Max.operating frequency [Hz]	10					
Response Time [ms]	ON	10	10	30	30	30
	OFF	24	-	30	30	30
Vibration resistance [m/s ²]	30					
Shock resistance [m/s ²]	150					
Weight [g]	30	43	55	55	55	
Mounting Position	Free					

Electrical Specifications

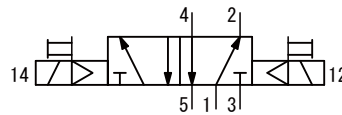
Supply Voltage [V]	DC24
Permissible Voltage fluctuation %	±10
Power consumption [W]	0.6
Insulation Class	E (120)
Wiring	Connector with Leadwire
Surge Suppressor	Diode
Indicator light	LED

Symbol

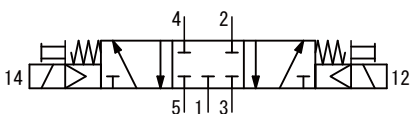
5/2 Single solenoid "P2A05RS25"



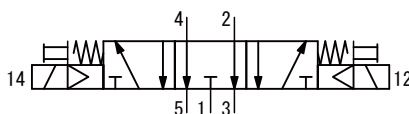
5/2 double solenoid "P2A05RD25"



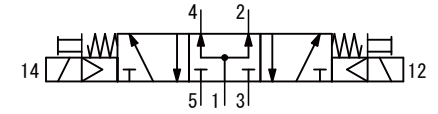
5/3 Closed Centre "P2A05RD35"



5/3 Exhaust centre "P2A05RE35"



5/3 Pressure centre "P2A05RO35"



In-Line type pilot operated solenoid valve

P2A12R Port 1/8, 15mm width

Specifications

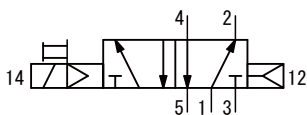
Part Number	P2A12RS25	P2A12RD25	P2A12RD35	P2A12RE35	P2A12RO35	
Function	5/2 Single solenoid	5/2 Double Solenoid	5/3 Closed Centre	5/3 Exhaust centre	5/3 Pressure centre	
Media	Air, Non-Reactive Gases					
Operating Pressure [MPa]	0.15 ~ 0.7		0.2 ~ 0.7			
Port Size	Rc 1/8					
Effective Orifice [mm ²]	Port 1→4 Port 1→2 9		7.5			
Cv Value	0.59		0.4			
Operating Temperature [°C]	+5 ~ 50					
Operating Humidity [%RH]	≤ 85					
Storage Temperature [°C]	-20 ~ 70					
Storage Humidity [%RH]	≤ 85					
Manual Operation	Manual Lockable Override					
Max.operating frequency [Hz]	10					
Response Time [ms]	ON	10	10	35	35	35
	OFF	24	-	-	-	-
Vibration resistance [m/s ²]	30					
Shock resistance [m/s ²]	150					
Weight [g]	68	87	96	96	96	
Mounting Position	Free					

Electrical Specifications

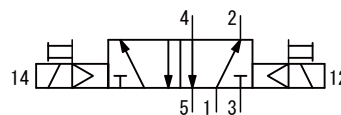
Supply Voltage [V]	DC24
Permissible Voltage fluctuation %	±10
Power consumption [W]	0.6
Insulation Class	E (120)
Wiring	Connector with Leadwire
Surge Suppressor	Diode
Indicator light	LED

Symbol

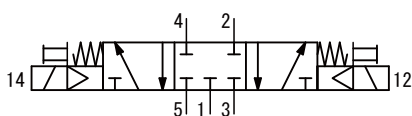
5/2 Single solenoid "P2A12RS25"



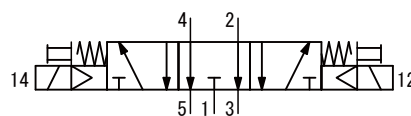
5/2 double solenoid "P2A12RD25"



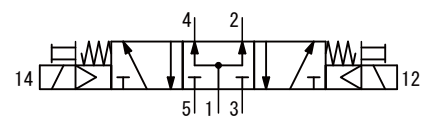
5/3 Closed Centre "P2A12RD35"



5/3 Exhaust centre "P2A12RE35"



5/3 Pressure centre "P2A12RO35"



In-Line type pilot operated solenoid valve

P2A20R Port 1/4, 18mm width

Specifications

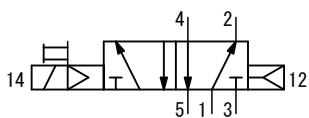
Part Number	P2A20RS25	P2A20RD25	P2A20RD35	P2A20RE35	P2A20RO35	
Function	5/2 Single solenoid	5/2 Double Solenoid	5/3 Closed Centre	5/3 Exhaust centre	5/3 Pressure centre	
Media	Air, Non-Reactive Gases					
Operating Pressure [MPa]	0.15 ~ 0.7		0.2 ~ 0.7			
Port Size	Rc 1/4					
Effective Orifice [mm ²]	Port 1→4 Port 1→2 14		12			
Cv Value	0.82		0.65			
Operating Temperature [°C]	+5 ~ 50					
Operating Humidity [%RH]	≤ 85					
Storage Temperature [°C]	-20 ~ 70					
Storage Humidity [%RH]	≤ 85					
Manual Operation	Manual Lockable Override					
Max.operating frequency [Hz]	10					
Response Time [ms]	ON	25	25	50	50	50
	OFF	50	-	50	50	50
Vibration resistance [m/s ²]	30					
Shock resistance [m/s ²]	150					
Weight [g]	68	87	96	96	96	
Mounting Position	Free					

Electrical Specifications

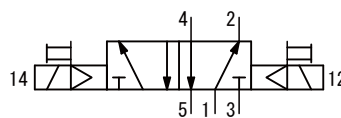
Supply Voltage [V]	DC24
Permissible Voltage fluctuation %	±10
Power consumption [W]	0.6
Insulation Class	E (120)
Wiring	Connector with Leadwire
Surge Suppressor	Diode
Indicator light	LED

Symbol

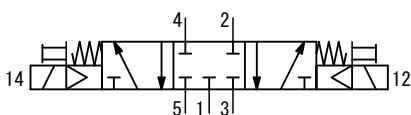
5/2 Single solenoid "P2A20RS25"



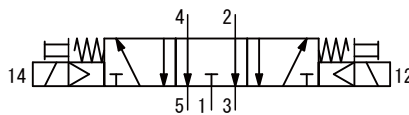
5/2 double solenoid "P2A20RD25"



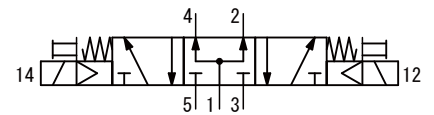
5/3 Closed Centre "P2A20RD35"



5/3 Exhaust centre "P2A20RE35"



5/3 Pressure centre "P2A20RO35"



Order code summary

Solenoid valve

	1	2	3	4	5	6	7	8	9				
	P2	A	05	R	S25	X	-	1P	-	0	1	-	E

1. Series
A : ADEX Plus

2. Size of valve
05 : 10mm width
12 : 15mm width
20 : 18mm width

3. Body type
R : In-Line type

4. Function
S25 : 5/2 Single
D25 : 5/2 Double
D35 : 5/3 Closed Centre
E35 : 5/3 Exhaust Centre
O35 : 5/3 Pressure Centre

5. Internal or External pilot
Blank : nternal pilot

6. Voltage
1P : 24VDC

7. Thread type
M : Metric (A05)
0 : Rc (BSPT)

8. Port size
5 : M5 (A05)
1 : 1/8 (A12)
2 : 1/4 (A20)

9. Electric connector
E : Lead wire with connector

Lead wire with connector

					1		2	
P2	A	05	P	-	DC	-	CL5	

1. Voltage
DC : 24VDC

2. Size of valve
CL5 : Lead wire length approx. 500mm

*] It's for A05, 12 and 20

Mounting bracket

	1	2	3	4	
P2	A	05	R	-	BS

1. Series
A : ADEX Plus

2. Size of valve
05 : 10mm width
12 : 15mm width
20 : 18mm width

3. Body type
R : In-Line type

4. Mounting
BS : Side bracket
BF : Foot bracket
*) BF type only for sigle solenoid

In-Line type pilot operated solenoid valve

Manifold blocks

Manifold

	1			2
P2	A05R	-	MF	02

1. Servies of Mounting

A05R : for A05 In-Line type

A12R : for A12 In-Line type

A20R : for A20 In-Line type

2. # of stations

02 : 2 stations

04 : 4 stations

06 : 6 stations

08 : 8 stations

10 : 10 stations

12 : 12 stations

*) up to 20 stations

*) Even numbers are standard.

Blanking plate

	1			
P2	A05R	-	MF	BP

1. Servies of Mounting

A05R : for A05 In-Line type

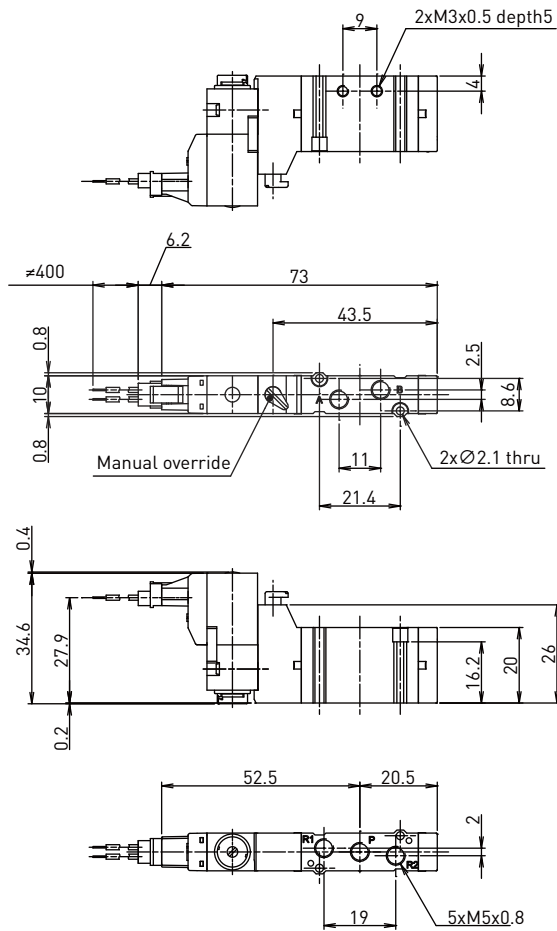
A12R : for A12 In-Line type

A20R : for A20 In-Line type

Dimensions / P2A05R Port M5, 10mm width

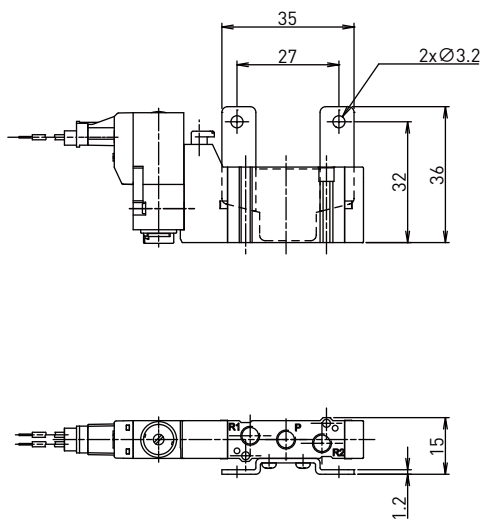
P2A05RS25-1P-M5-E

5/2 single solenoid

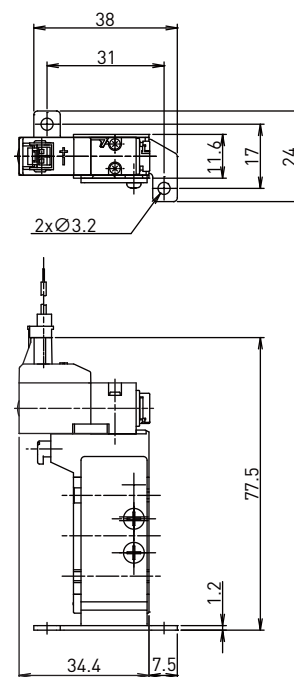


Mounting bracket

Side bracket (P2A05R-BS)



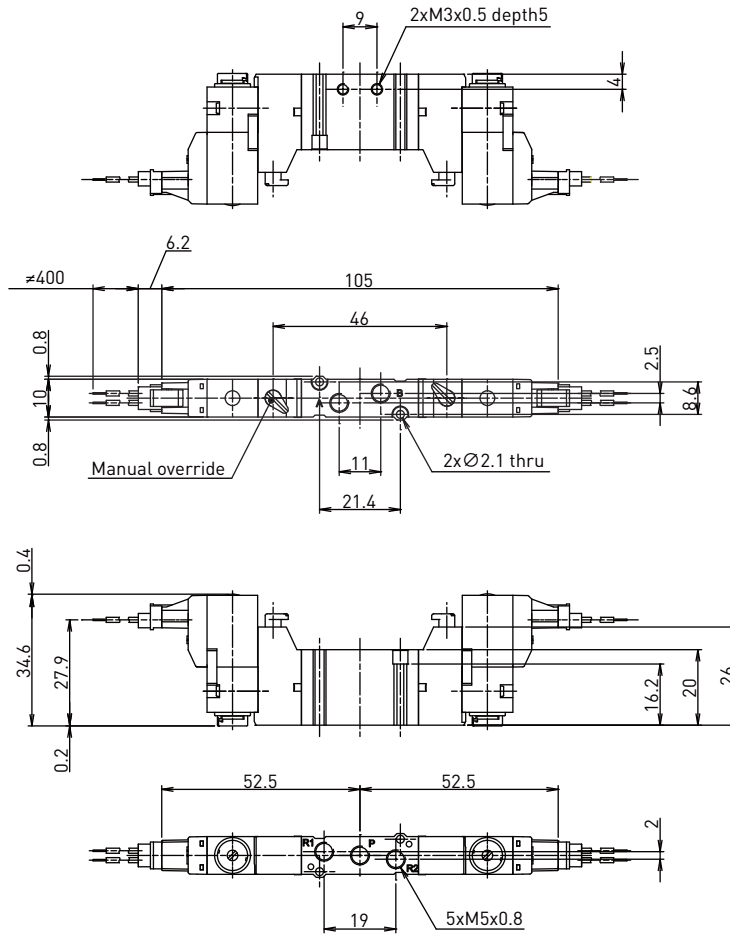
Foot bracket (P2A05R-BF)



Dimensions / P2A05R Port M5, 10mm width

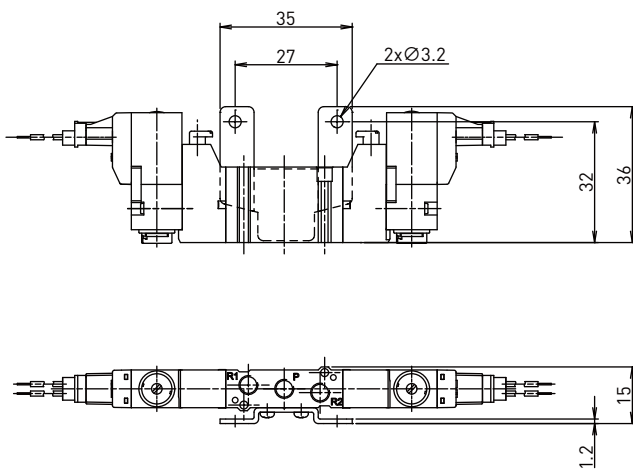
P2A05RD25-1P-M5-E

5/2 double solenoid



Mounting bracket

Side bracket (P2A05R-BS)

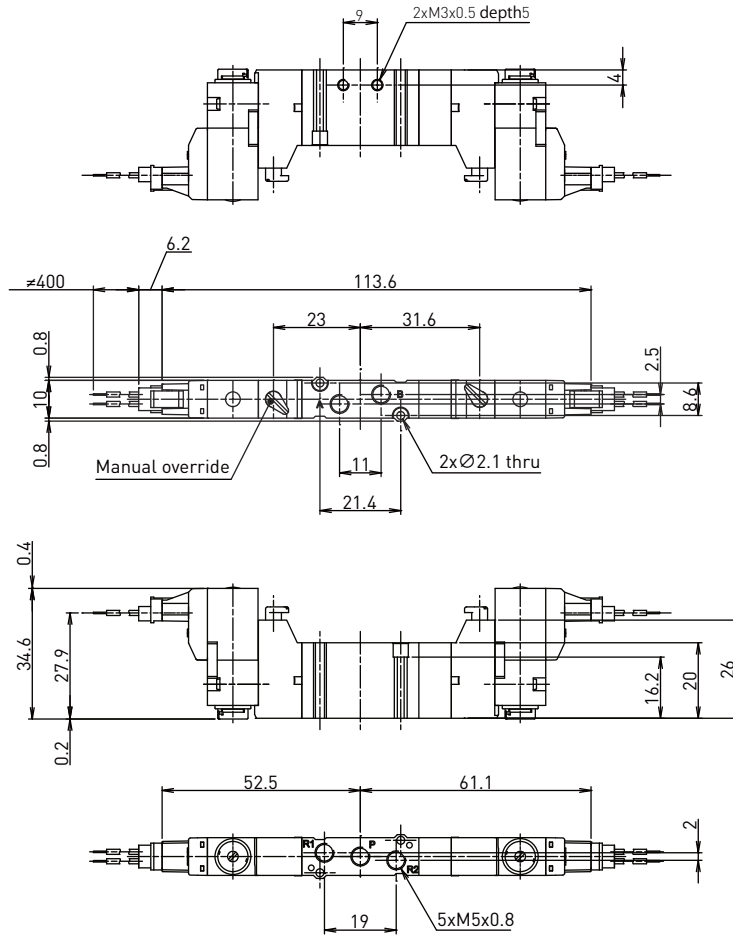


*Note] Foot bracket is not available for double solenoid.

Dimensions / P2A05R Port M5, 10mm width

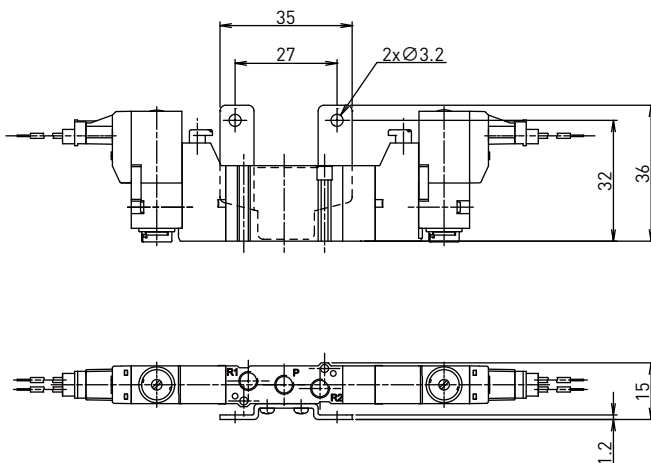
P2A05RD35-1P-M5-E, P2A05RE35-1P-M5-E, P2A05R035-1P-M5-E

5/3 Closed centre, 5/3 Exhaust centre, 5/3 Pressure centre



Mounting bracket

Side bracket (P2A05R-BS)

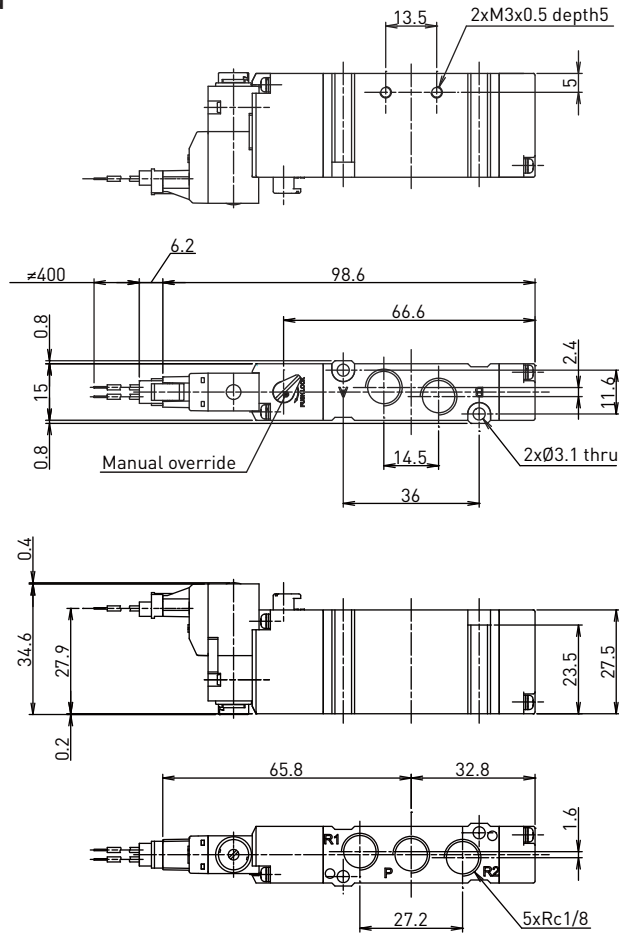


*Note) Foot bracket is not available for double solenoid.

Dimensions / P2A12R Port 1/8, 15mm width

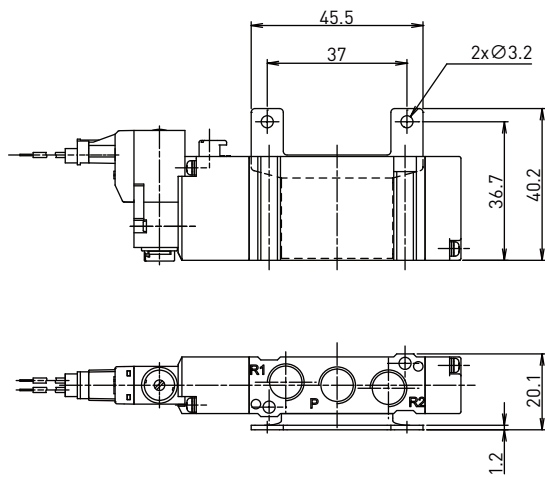
P2A12RS25-1P-01-E

5/2 single solenoid

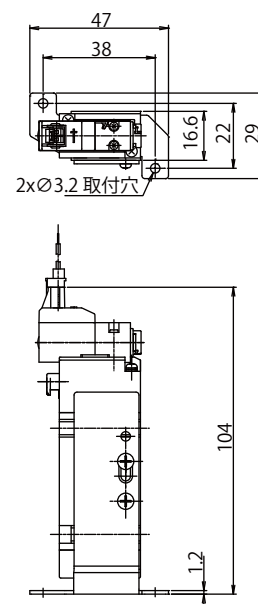


Mounting bracket

Side bracket (P2A12R-BS)



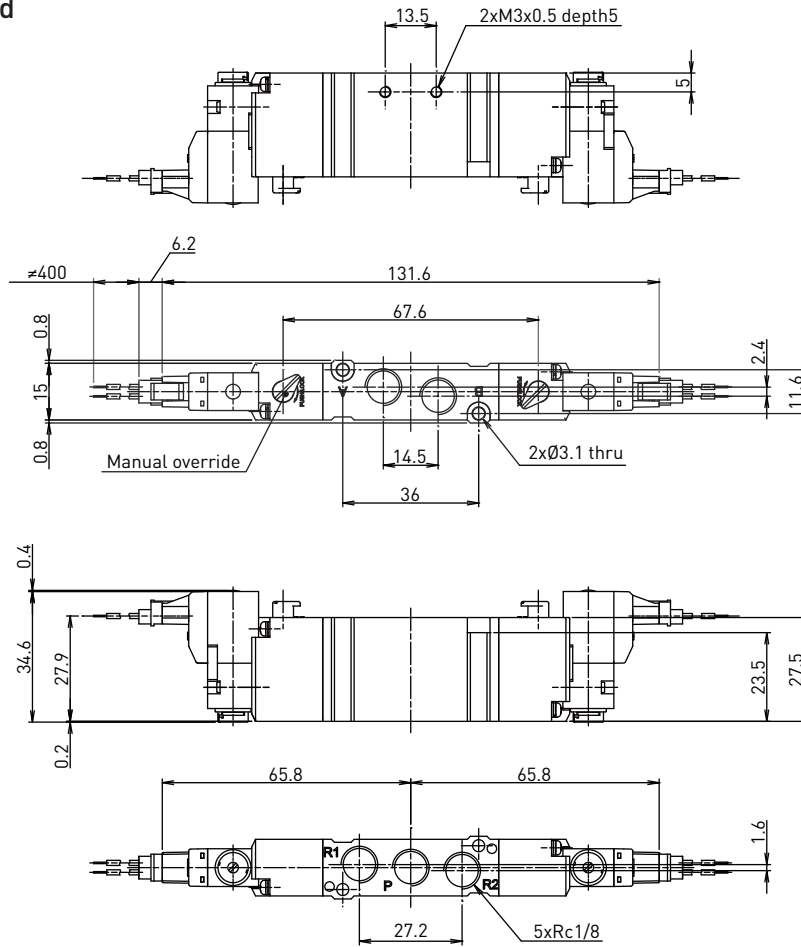
Foot bracket (P2A12R-BF)



Dimensions / P2A12R Port 1/8, 15mm width

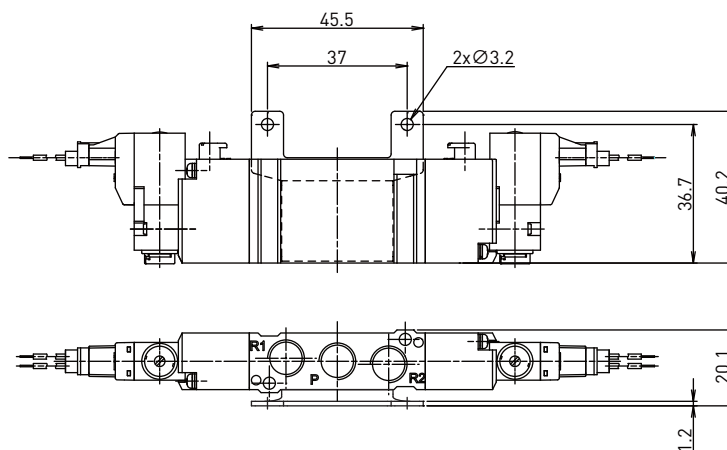
P2A12RD25-1P-01-E

5/2 double solenoid



Mounting bracket

Side bracket (P2A12R-BS)

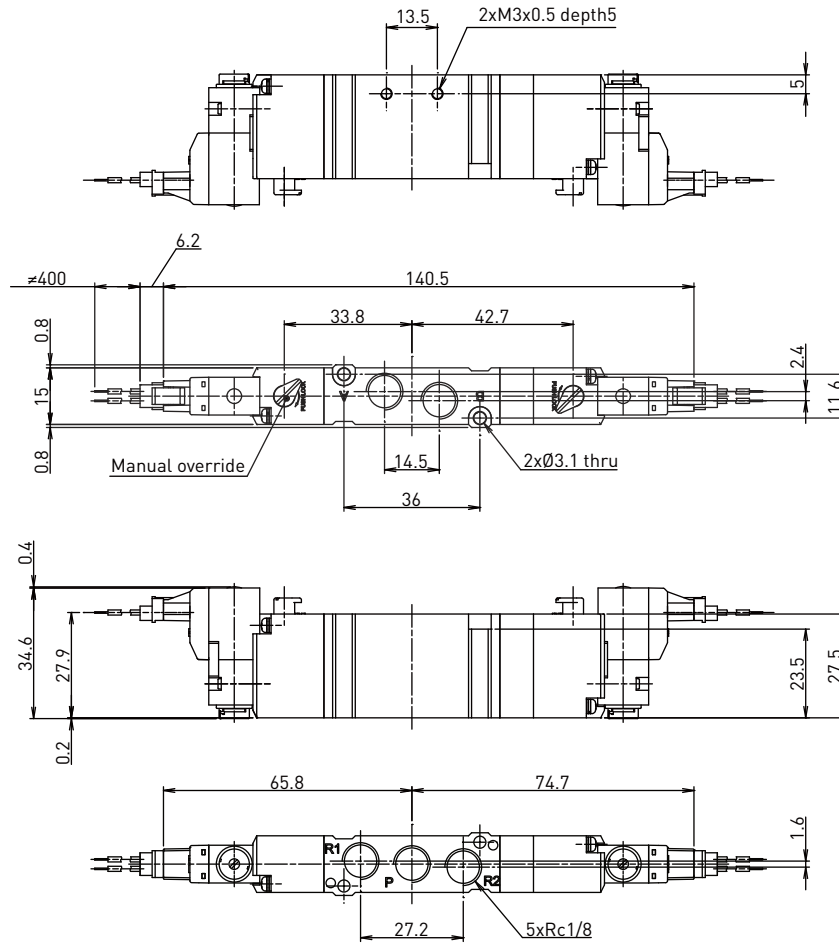


*Note) Foot bracket is not available for double solenoid.

Dimensions / P2A12R Port 1/8, 15mm width

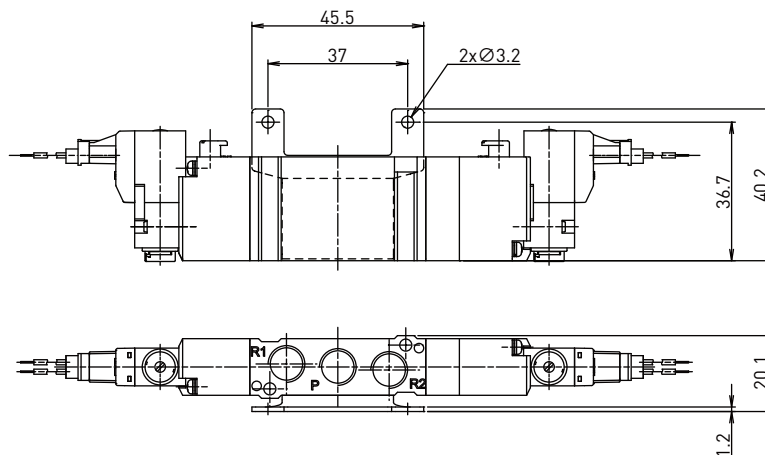
P2A12RD35-1P-01-E, P2A12RE35-1P-01-E, P2A12R035-1P-01-E

5/3 Closed centre, 5/3 Exhaust centre, 5/3 Pressure centre



Mounting bracket

Side bracket (P2A12R-BS)

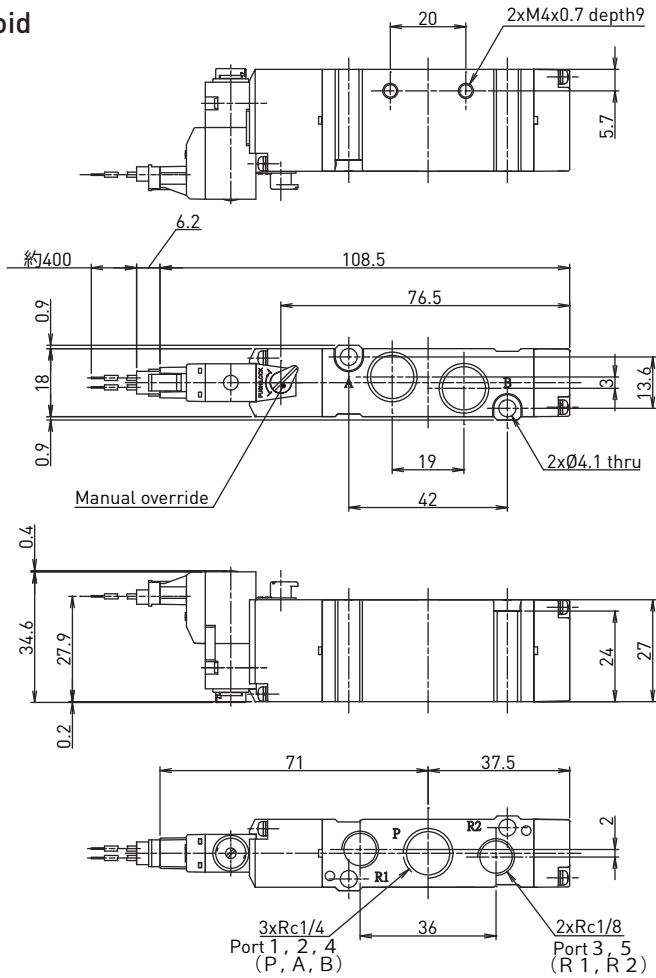


*Note] Foot bracket is not available for double solenoid.

Dimensions / P2A20R Port 1/4, 18mm width

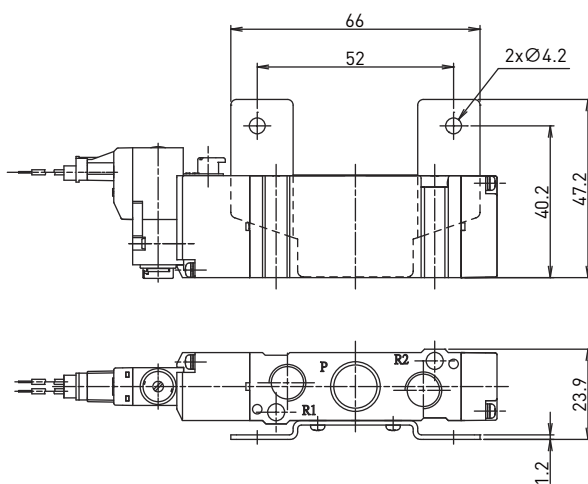
P2A20RS25-1P-02-E

5/2 single solenoid

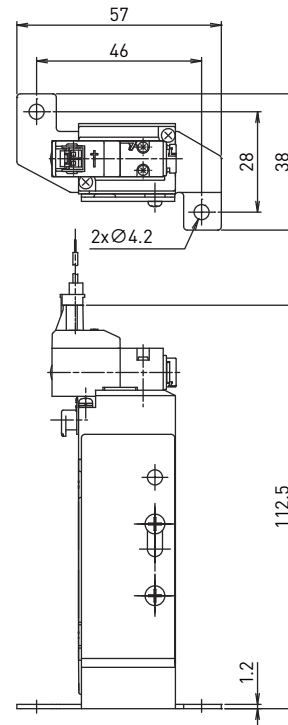


Mounting bracket

Side bracket (P2A20R-BS)



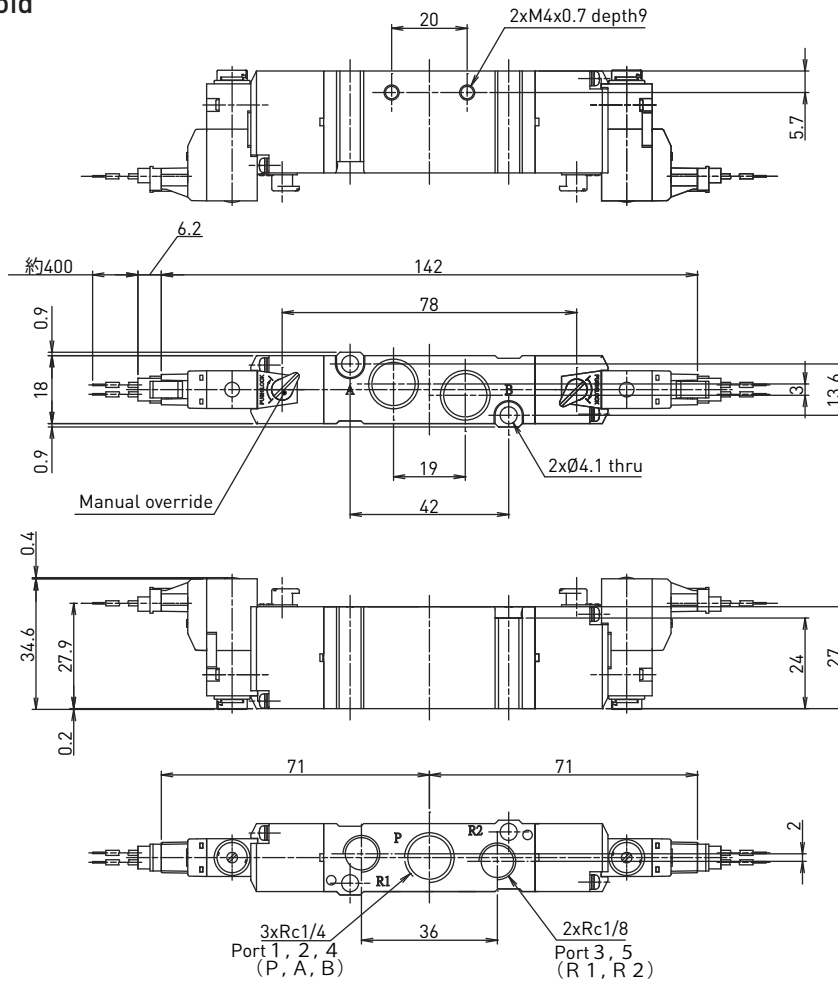
Foot bracket (P2A20R-BF)



Dimensions / P2A20R Port 1/4, 18mm width

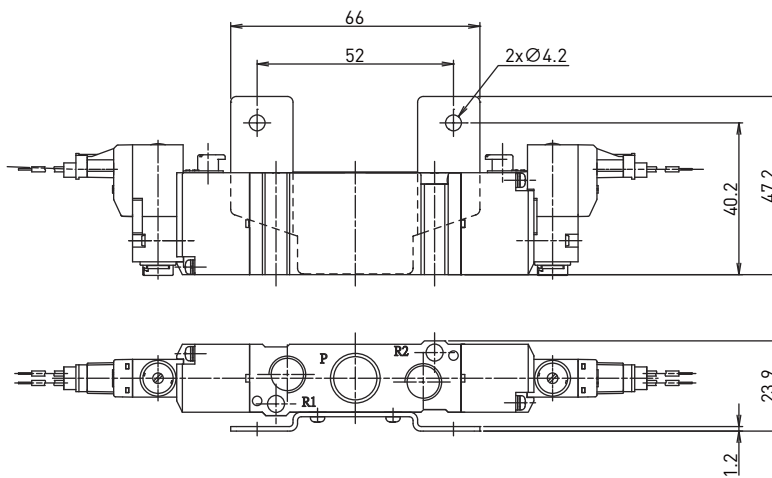
P2A20RD25-1P-02-E

5/2 single solenoid



Mounting bracket

Side bracket (P2A20R-BS)

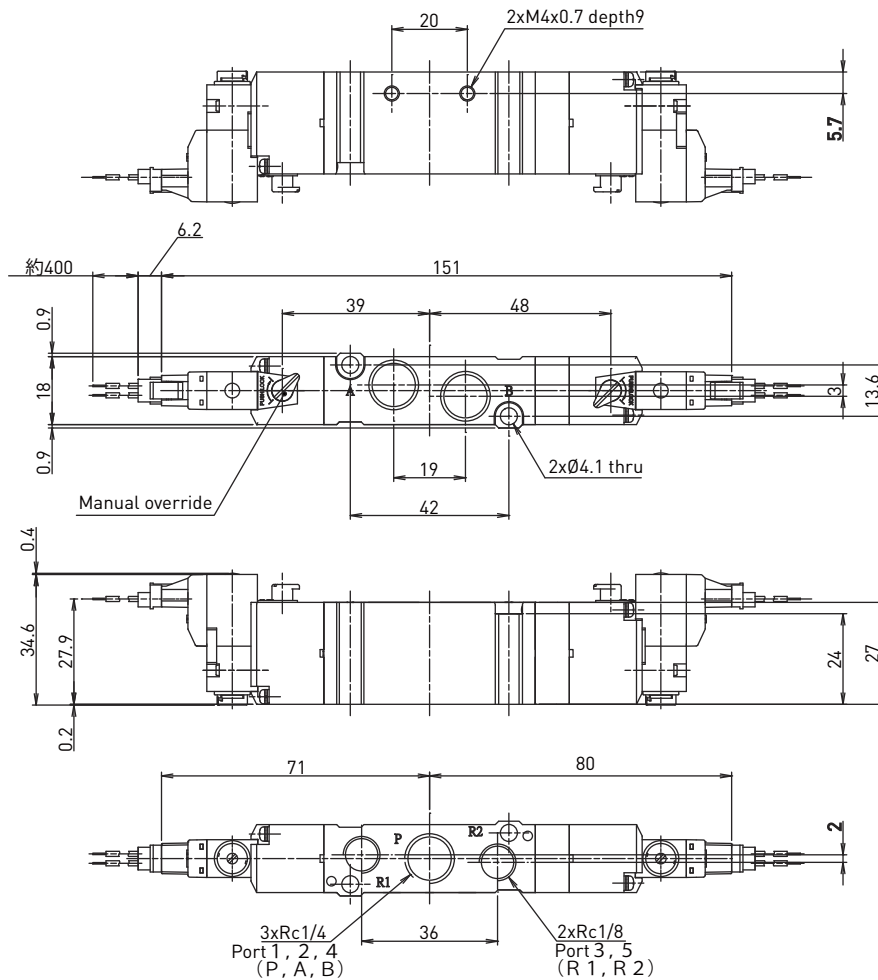


*Note) Foot bracket is not available for double solenoid.

Dimensions / P2A20R Port 1/4, 18mm width

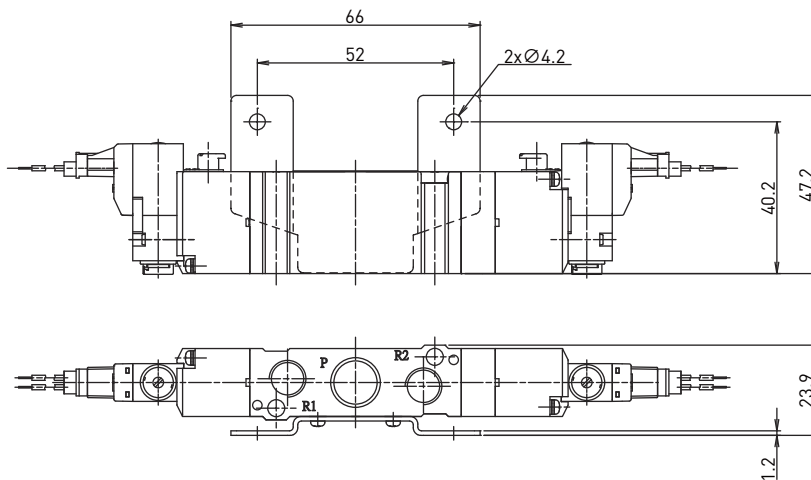
P2A20RD35-1P-02-E, P2A20RE35-1P-02-E, P2A20R035-1P-02-E

5/3 Closed centre, 5/3 Exhaust centre, 5/3 Pressure centre



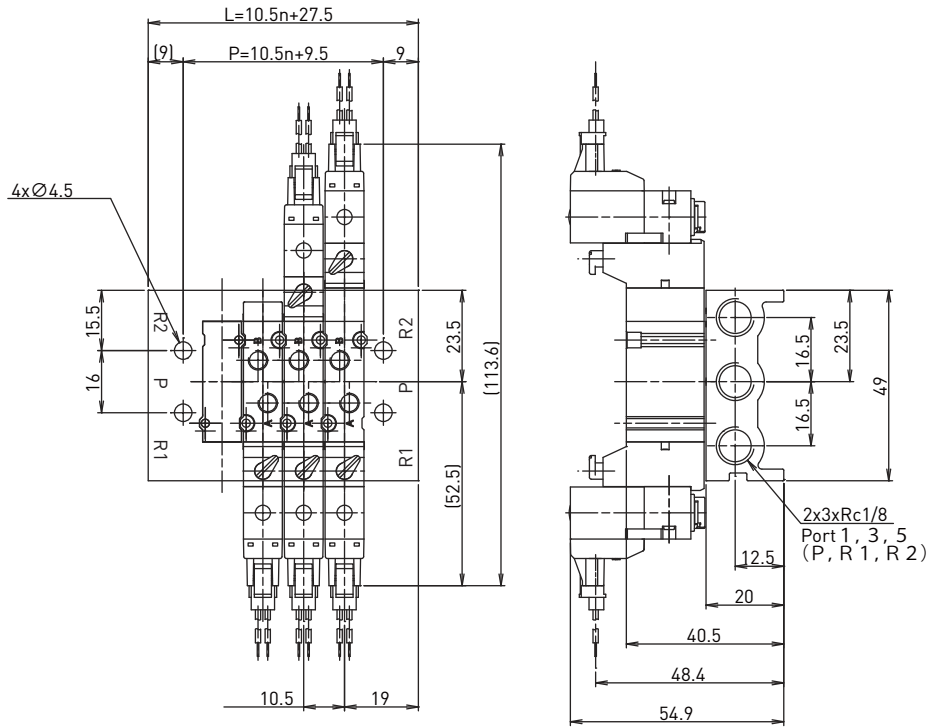
Mounting bracket

Side bracket (P2A20R-BS)



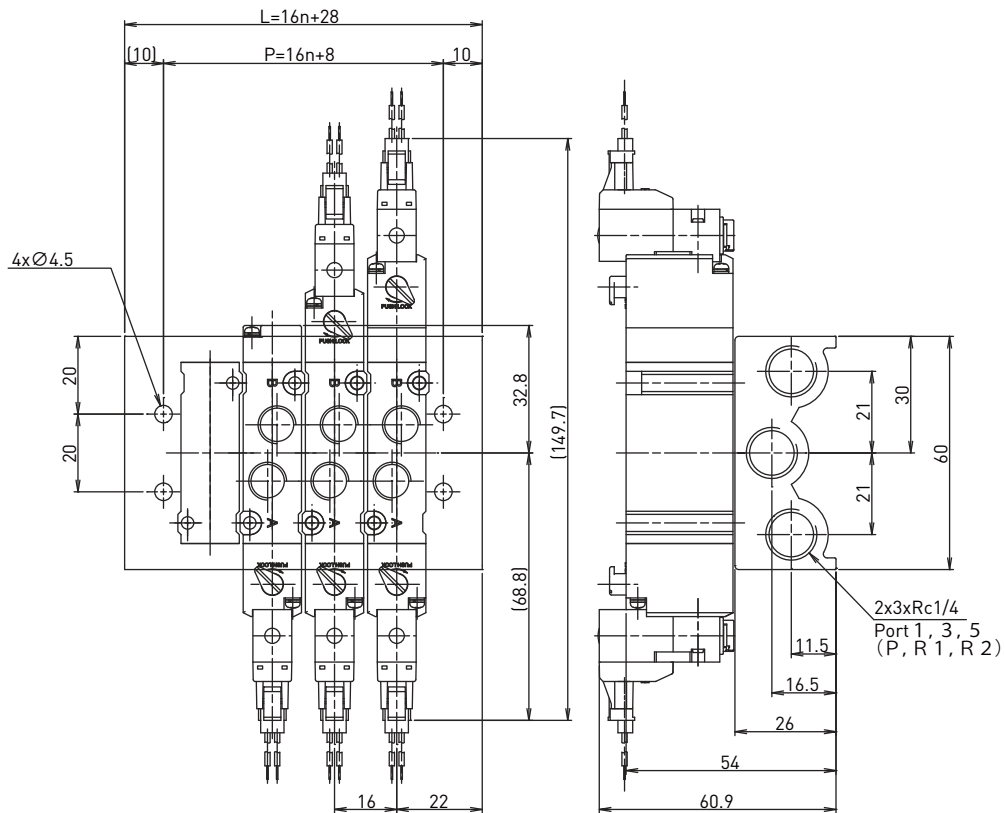
*Note) Foot bracket is not available for double solenoid.

Dimensions / Manifold block for P2A05R



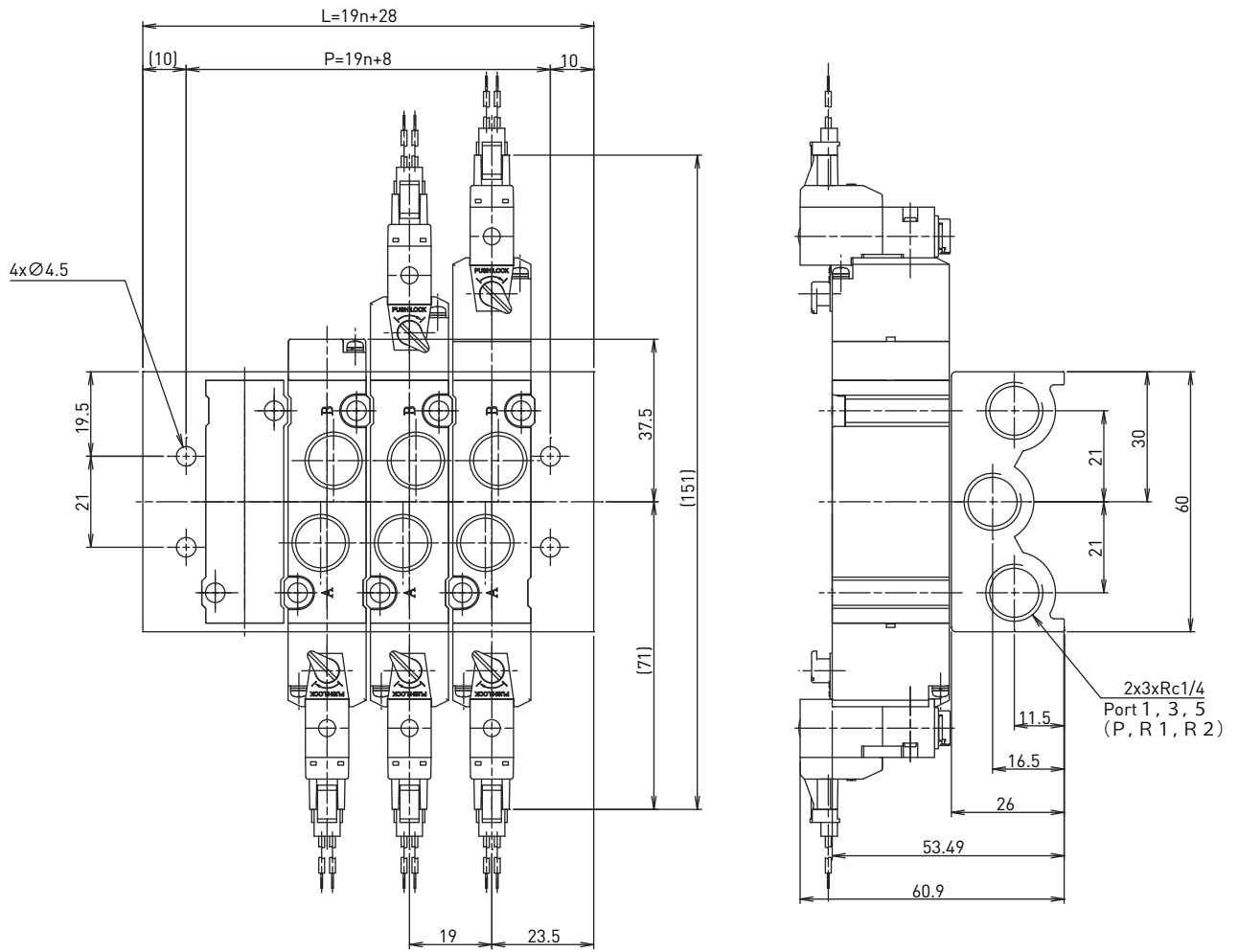
* n=2 to 20(Even numbers are standard)

Dimensions / Manifold block for P2A12R



* n=2 to 20(Even numbers are standard)

Dimensions / Manifold block for P2A20R



* n=2 to 20(Even numbers are standard)

Parker Worldwide

Europe, Middle East, Africa

AE – United Arab Emirates,
Dubai
Tel: +971 4 8127100
parker.me@parker.com

AT – Austria, Wiener Neustadt
Tel: +43 (0)2622 23501-0
parker.austria@parker.com

AT – Eastern Europe, Wiener
Neustadt
Tel: +43 (0)2622 23501 900
parker.easteurope@parker.com

AZ – Azerbaijan, Baku
Tel: +994 50 2233 458
parker.azerbaijan@parker.com

BE/LU – Belgium, Nivelles
Tel: +32 (0)67 280 900
parker.belgium@parker.com

BY – Belarus, Minsk
Tel: +375 17 209 9399
parker.belarus@parker.com

CH – Switzerland, Etoy
Tel: +41 (0)21 821 87 00
parker.switzerland@parker.com

CZ – Czech Republic, Klecany
Tel: +420 284 083 111
parker.czechrepublic@parker.com

DE – Germany, Kaarst
Tel: +49 (0)2131 4016 0
parker.germany@parker.com

DK – Denmark, Ballerup
Tel: +45 43 56 04 00
parker.denmark@parker.com

ES – Spain, Madrid
Tel: +34 902 330 001
parker.spain@parker.com

FI – Finland, Vantaa
Tel: +358 (0)20 753 2500
parker.finland@parker.com

FR – France, Contamine s/Arve
Tel: +33 (0)4 50 25 80 25
parker.france@parker.com

GR – Greece, Athens
Tel: +30 210 933 6450
parker.greece@parker.com

HU – Hungary, Budapest
Tel: +36 1 220 4155
parker.hungary@parker.com

IE – Ireland, Dublin
Tel: +353 (0)1 466 6370
parker.ireland@parker.com

IT – Italy, Corsico (MI)
Tel: +39 02 45 19 21
parker.italy@parker.com

KZ – Kazakhstan, Almaty
Tel: +7 7272 505 800
parker.easteurope@parker.com

NL – The Netherlands, Oldenzaal
Tel: +31 (0)541 585 000
parker.nl@parker.com

NO – Norway, Asker
Tel: +47 66 75 34 00
parker.norway@parker.com

PL – Poland, Warsaw
Tel: +48 (0)22 573 24 00
parker.poland@parker.com

PT – Portugal, Leca da Palmeira
Tel: +351 22 999 7360
parker.portugal@parker.com

RO – Romania, Bucharest
Tel: +40 21 252 1382
parker.romania@parker.com

RU – Russia, Moscow
Tel: +7 495 645-2156
parker.russia@parker.com

SE – Sweden, Spånga
Tel: +46 (0)8 59 79 50 00
parker.sweden@parker.com

SK – Slovakia, Banská Bystrica
Tel: +421 484 162 252
parker.slovakia@parker.com

SL – Slovenia, Novo Mesto
Tel: +386 7 337 6650
parker.slovenia@parker.com

TR – Turkey, Istanbul
Tel: +90 216 4997081
parker.turkey@parker.com

UA – Ukraine, Kiev
Tel: +380 44 494 2731
parker.ukraine@parker.com

UK – United Kingdom, Warwick
Tel: +44 (0)1926 317 878
parker.uk@parker.com

ZA – South Africa, Kempton Park
Tel: +27 (0)11 961 0700
parker.southafrica@parker.com

North America

CA – Canada, Milton, Ontario
Tel: +1 905 693 3000

US – USA, Cleveland
Tel: +1 216 896 3000

Asia Pacific

AU – Australia, Castle Hill
Tel: +61 (0)2-9634 7777

CN – China, Shanghai
Tel: +86 21 2899 5000

HK – Hong Kong
Tel: +852 2428 8008

IN – India, Mumbai
Tel: +91 22 6513 7081-85

JP – Japan, Chiba
Tel: +81 (0)45 479 64 2282
sales@parker.com

KR – South Korea, Seoul
Tel: +82 2 559 0400

MY – Malaysia, Shah Alam
Tel: +60 3 7849 0800

NZ – New Zealand, Mt Wellington
Tel: +64 9 574 1744

SG – Singapore
Tel: +65 6887 6300

TH – Thailand, Bangkok
Tel: +662 186 7000 99

TW – Taiwan, Taipei
Tel: +886 2 229 8 8987

ID – Indonesia, Tangerang
Tel: +62 21 7588 1906

VN – Vietnam, Ho Chi Minh
Tel: +84 3775 4651

South America

AR – Argentina, Buenos Aires
Tel: +54 3327 44 4129

BR – Brazil, Sao Jose dos Campos
Tel: +55 800 727 5374

CL – Chile, Santiago
Tel: +56 2 623 1216

MX – Mexico, Apodaca
Tel: +52 81 8156 6000

